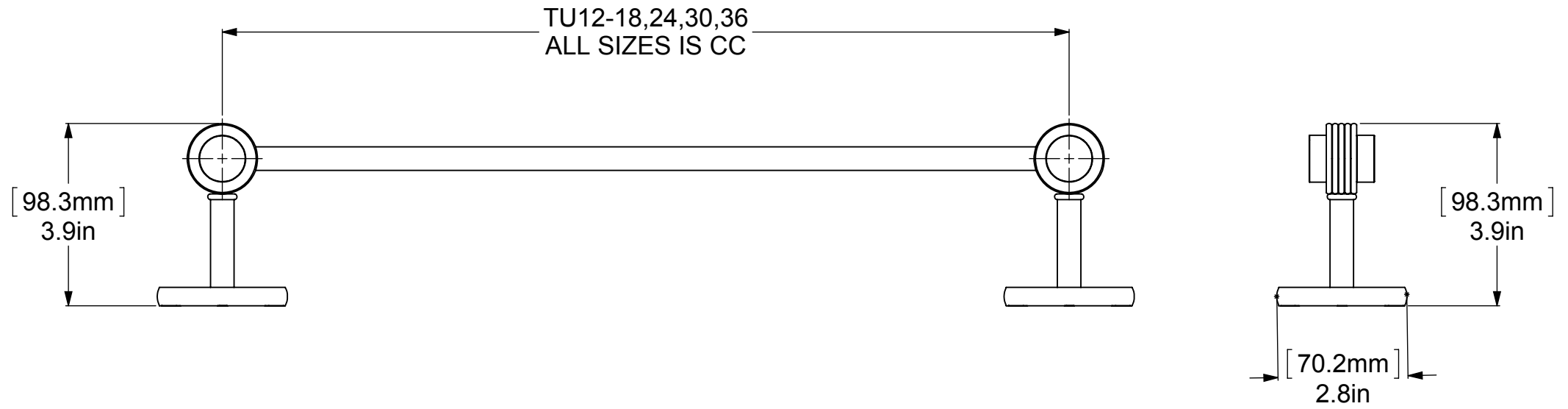
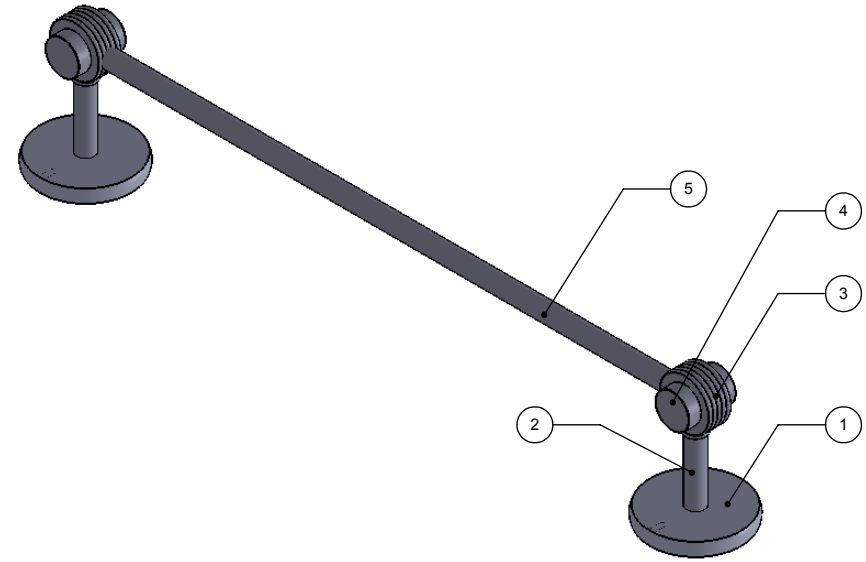


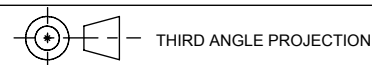
| | | | |
|---|------------------|-----------|---|
| 1 | BPRD | BACKPLATE | 2 |
| 2 | TU12-2 | SUPPORT | 2 |
| 3 | RGGVZ | HUB | 2 |
| 4 | CARD-1 | END CAP | 4 |
| 5 | TU12-18,24,30,36 | TUBE | 2 |



UNLESS OTHERWISE STATED


| | |
|------|---------|
| .X | ±.3mm |
| .XX | ±.15mm |
| .XXX | ±.008mm |

COPYRIGHT © Allied Brass 2016



| | | |
|----------|-----------|-----|
| DRAWN | 3/30/2016 | I.M |
| CHECKED | 3/30/2016 | P.D |
| APPROVED | 3/30/2016 | R.A |

| | |
|--------------|-----------|
| MATERIAL: | BRASS |
| DESCRIPTION: | TOWEL BAR |



| | |
|-------------|-------|
| FINISH | TBD |
| QUANTITY | TBD |
| DRAWING No. | 7131G |
| SCALE | 1:3 |
| SHEET: 01 | A4 |